

TP7M probe and stylus kit



© 1990 - 2005 Renishaw plc. All rights reserved.

This document may not be copied or reproduced in whole or in part, or transferred to any other media or language, by any means, without the prior written permission of Renishaw.

The publication of material within this document does not imply freedom from the patent rights of Renishaw plc.

Disclaimer

Considerable effort has been made to ensure that the contents of this document are free from inaccuracies and omissions. However, Renishaw makes no warranties with respect to the contents of this document and specifically disclaims any implied warranties. Renishaw reserves the right to make changes to this document and to the product described herein without obligation to notify any person of such changes.

Trademarks

RENISHAW® and the probe emblem used in the RENISHAW logo are registered trademarks of Renishaw plc in the UK and other countries.

apply innovation is a trademark of Renishaw plc.

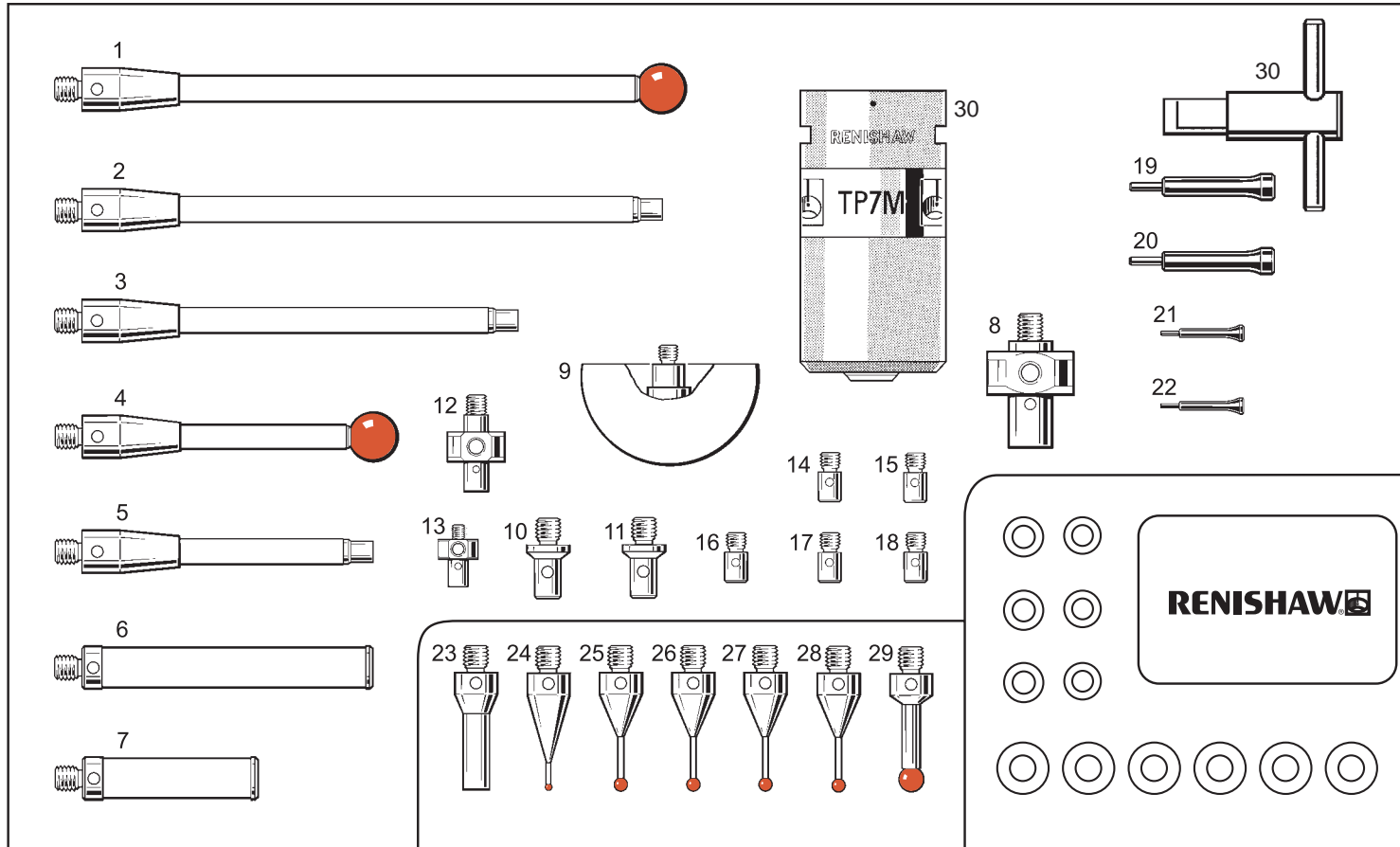
All other brand names and product names used in this document are trade names, service marks, trademarks, or registered trademarks of their respective owners.

Renishaw part no: H-1000-5011-03-A

Issued: 05 2005

TP7M probe and stylus kit

Stylus selection guide



Position	Description
1	M4 STY D8R L100 EWL 100 D4.5CE
2	M4-M3 EXT L100CE
3	M4-M3 EXT L75CE
4	M4 STY D8R L50 EWL 50 D4.5CE
5	M4-M3 EXT L50CE
6	M4 EXT L50 D7.4CE
7	M4 EXT L30 D7.4CE
8	M4 ACC CENTER 5-WAY
9	M3 HEM D30CE
10	M4-M3 EXT L9SS
11	M4-M3 EXT L9SS
12	M3 ACC CENTER 5-WAY
13	M2 ACC CENTER 5-WAY
14	M3-M2 EXT L5SS
15	M3-M2 EXT L5SS
16	M3-M2 EXT L5SS
17	M3-M2 EXT L5SS
18	M3-M2 EXT L5SS
19	M4 STYLUS TOOL
20	M4 STYLUS TOOL
21	M2-M3 STYLUS TOOL
22	M2-M3 STYLUS TOOL
23	M4-M3 EXT L20SS
24	M4 STY D1R L19.5 EWL4 D0.7SS
25	M4 STY D2R L19 EWL8 D1.4SS
26	M4 STY D2R L19 EWL8 D1.4SS
27	M4 STY D2R L19 EWL8 D1.4SS
28	M4 STY D2R L19 EWL8 D1.4SS
29	M4 STY D4R L18 EWL13 D3SS
30	TP7M probe
31	S10 autojoint key

Renishaw plc

New Mills, Wotton-under-Edge,
Gloucestershire, GL12 8JR
United Kingdom

T +44 (0)1453 524524

F +44 (0)1453 524901

E uk@renishaw.com

www.renishaw.com

RENISHAW 
apply innovation™

**For worldwide contact details,
please visit our main website at
www.renishaw.com/contact**



H - 1000 - 5011 - 03